

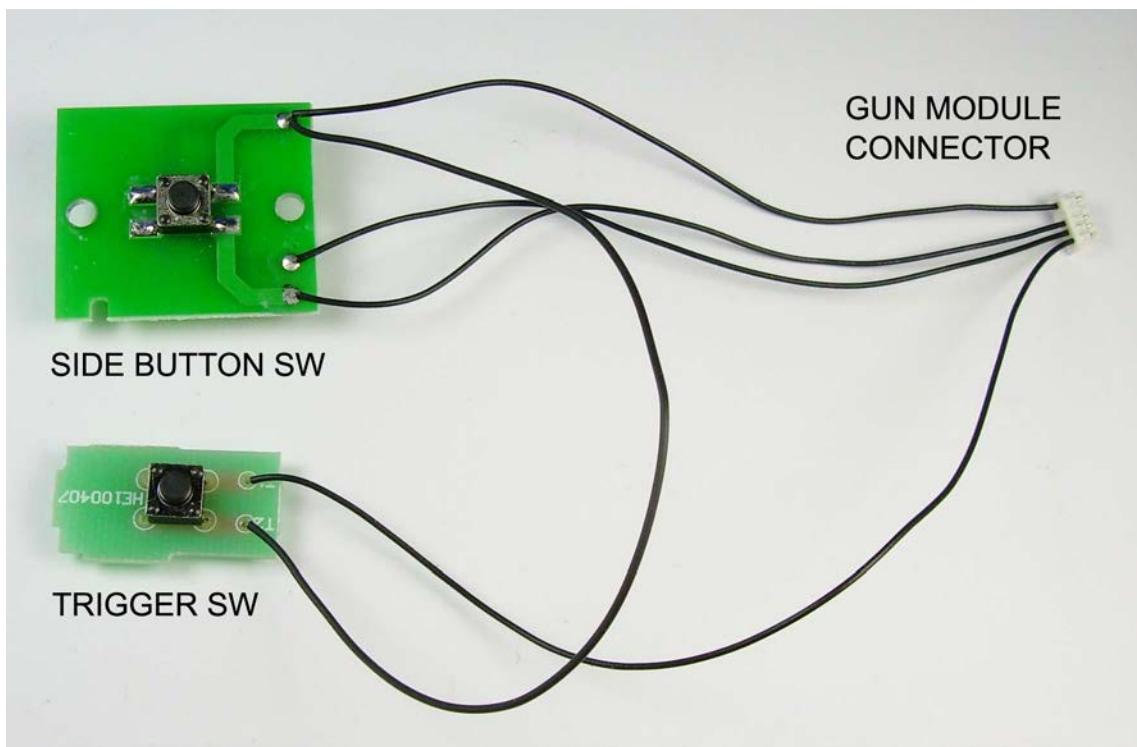


Gun Kit Assembly Instructions



Electrical Connections

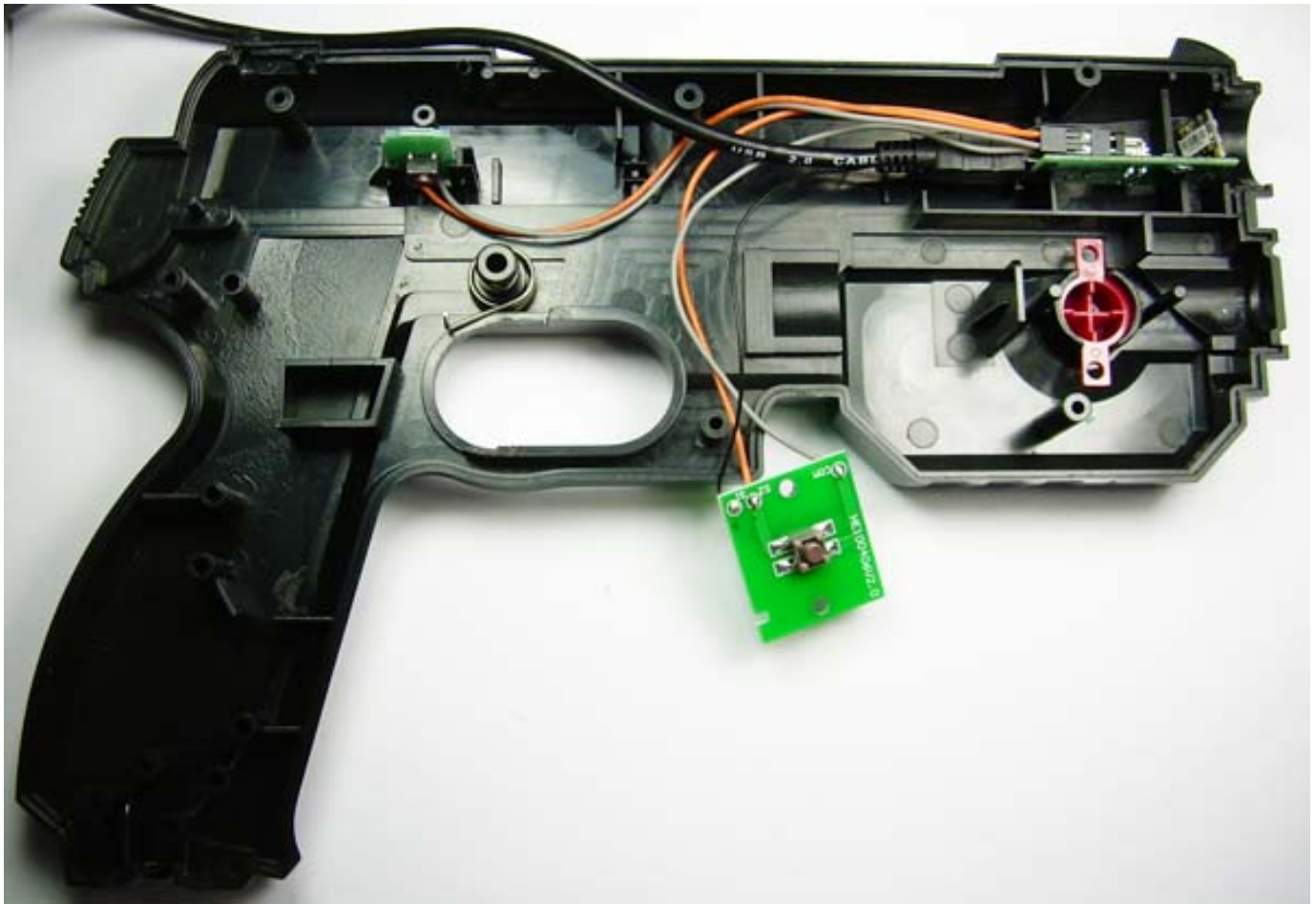
The two PCBs come with wiring already connected. The attached connector simply needs to be plugged into the module.





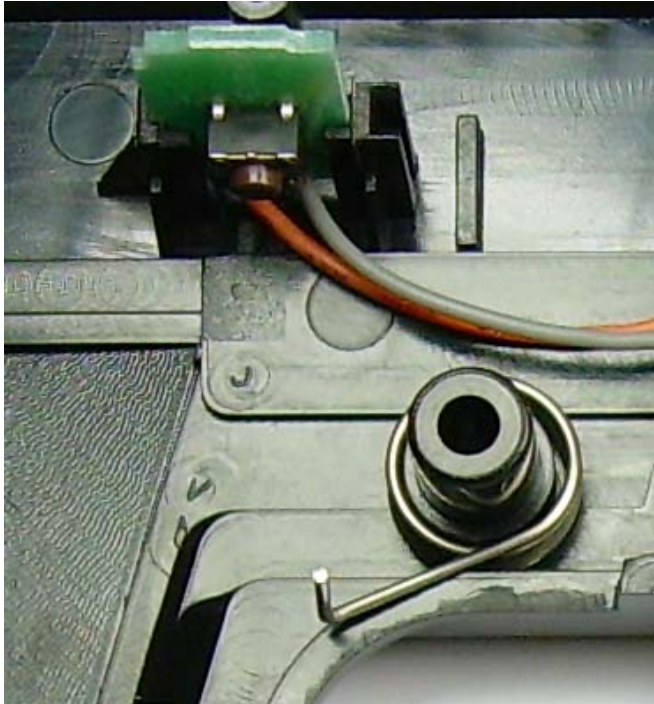
Gun Housing Assembly

Start with the left side as shown below. Insert the left button, trigger spring, and the module, and the trigger switch PCB.





Spring/Trigger Switch Detail



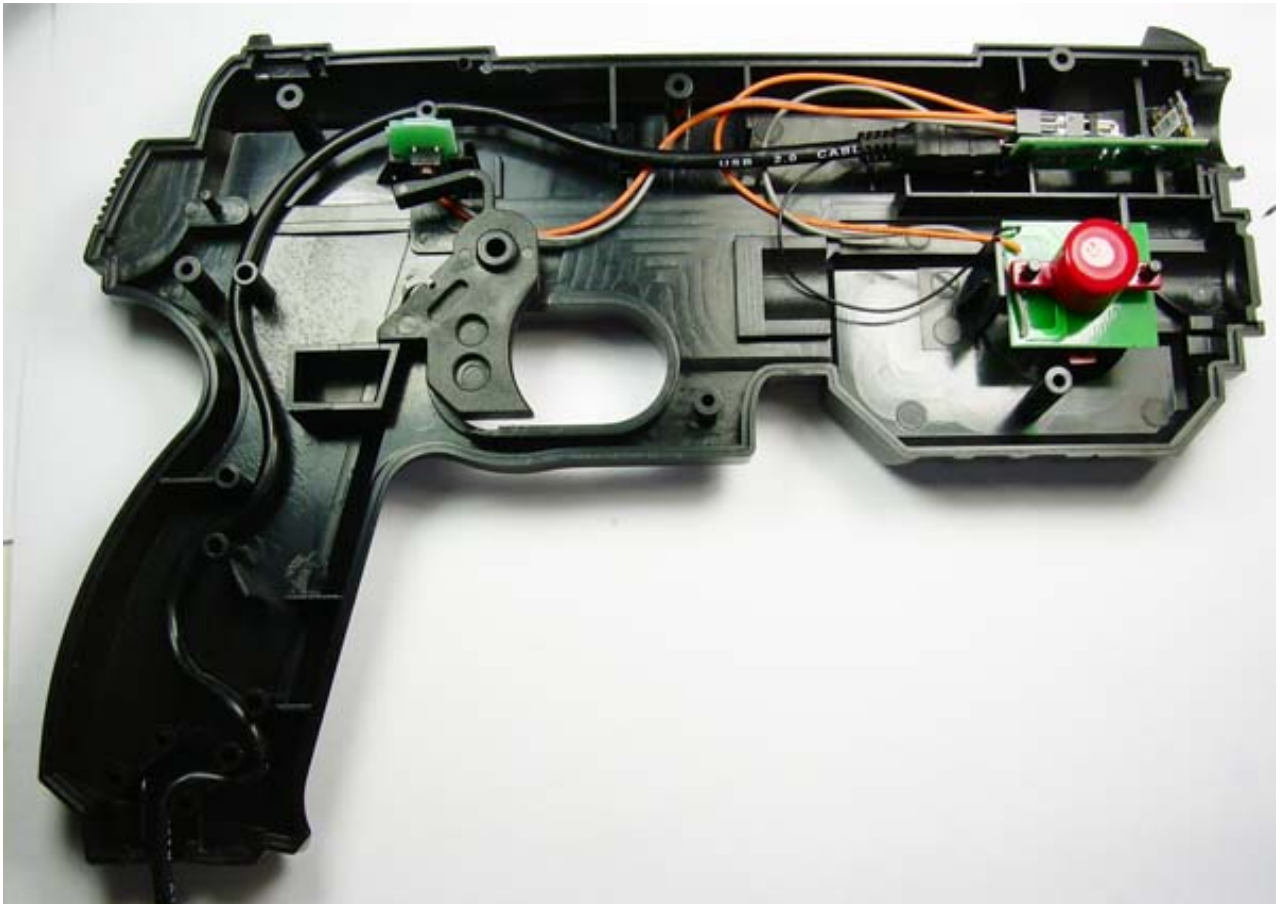


AIMTRAK

Fit the side button PCB with the cutout engaging with the lug on the housing. Then fit the right-hand side button.

Fit trigger as shown. Check that the trigger is free to move and activates the switch.

Arrange the USB cable to snake around the strain-relief pillars.



Ensure none of the wires is resting on any of the internal members of the molding and may be trapped when assembled. Then fit the right-hand side and secure with the 7 screws.